



SeJong Family

Confidential

Application Note #063

(AN063-V1.0)

AN

[Errata] SeJong2xx

V1.0

November 2011

- ◆ CORERIVER Semiconductor reserves the right to make corrections, modifications, enhancements, improvements, and other changes to its products and services at any time and to discontinue any product or service without notice.
- ◆ Customers should obtain the latest relevant information before placing orders and should verify that such information is current and complete.
- ◆ The CORERIVER Semiconductor products listed in this document are intended for usage in general electronics applications. These CORERIVER Semiconductor products are neither intended nor warranted for usage in equipment that requires extraordinarily high quality and/or reliability or a malfunction or failure of which may cause loss of human life or bodily injury.

Contents

Confidential

1. AMP Gain

1.1. Limitation the AMP gain range

1.2. Application of input status

1.1. Limitation the AMP gain range

Confidential

AMP gain 제한

- 이유 : 설계되어 있는 AMP의 설계 마진으로 인해 낮은 gain에서 발진하는 현상을 보임.
- 영역 : **사용 제한 영역 : 3 ~ 60 배**
사용 영역 : default(약2.5배), 70배 이상

1. Main Code

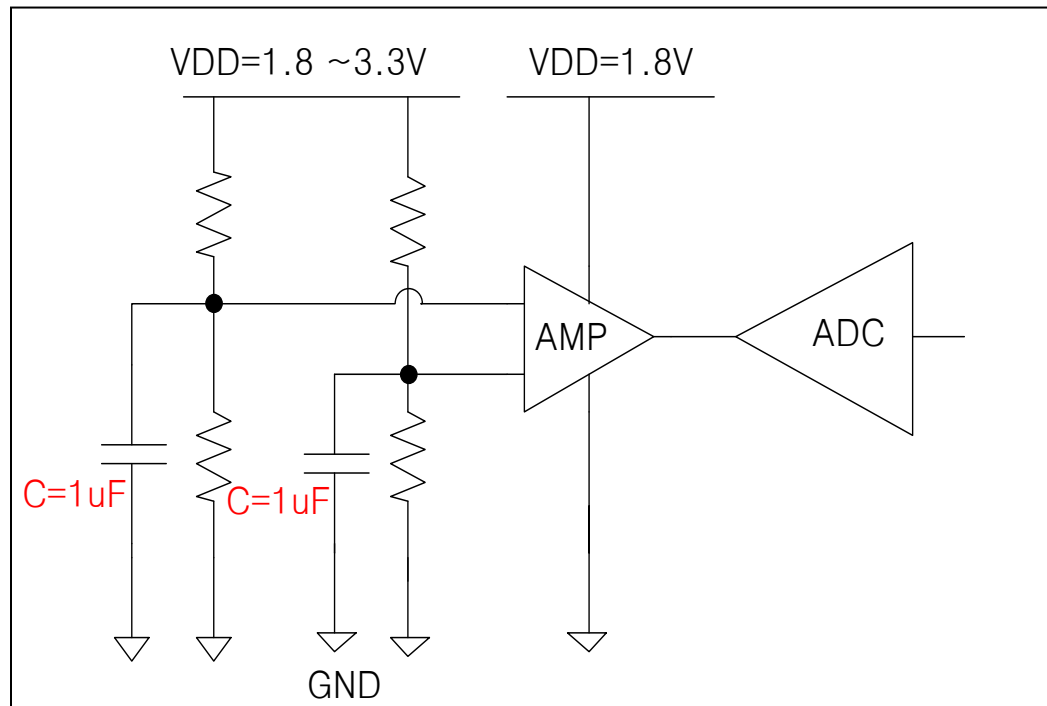
```
OPAMP_CON = 0x0001; // OPAMP control register [1 : OPAMP_EN, 0 : OPAMP_disable]  
OPAMP_TRIM = 0x0000; // OPAMP gain Register, gain= 2.5X  
// OPAMP_TRIM = 0x0001 ~ 0x003C // gain= 3X ~ 60X, 사용 제한  
// OPAMP_TRIM = 0x0046 ~ ; // gain=70X 이상 사용 가능
```

1.2. Application of input status

Confidential

응용 회로

- AMP 입력 Level : $0 < \text{input level} < 1.8\text{V}$
 - AMP의 동작전압은 1.8V로 제한되어 있음.
- AMP 입력 회로 : 하기의 그림 참조
 - 저항 분압 회로 등 전류가 제한된 입력이 사용될 경우, 반드시 입력 capacitor를 부착
 - 1uF를 권장함. 더 작은 cap일 경우 gain이 더 제한될 수 있음.



Thank you !!!

Thank you !!!

Web Site : <http://www.coreriver.com>

Sales : sales@coreriver.com

R&D : tech@coreriver.com